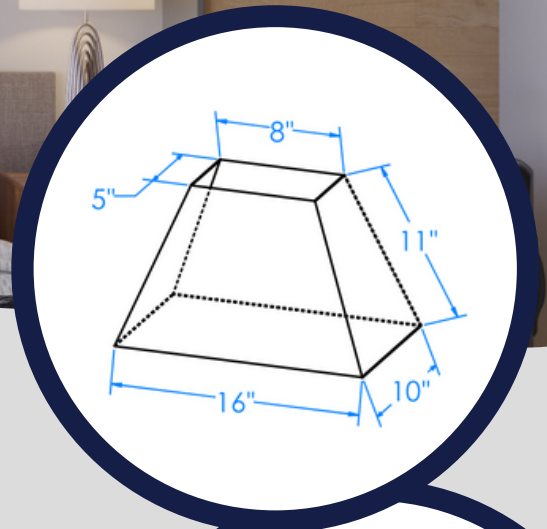


HOW TO MEASURE SHADES BY ARKANSAS LIGHTING



➤➤➤ Square & Rectangular

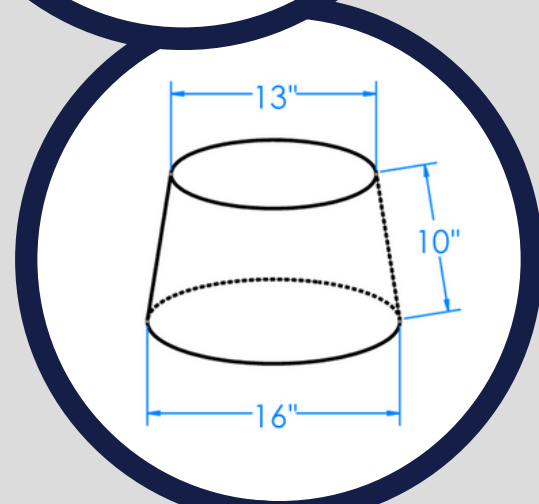
Top (length x width) x Bottom (length x width) x Height

Example: a 5 x 8 x 10 x 16 x 11 shade has a top ring that is 5" by 8", the bottom ring is 10" by 16" and it is 11" tall.

➤➤➤ Round Shade

Top Diameter x Bottom Diameter x Height

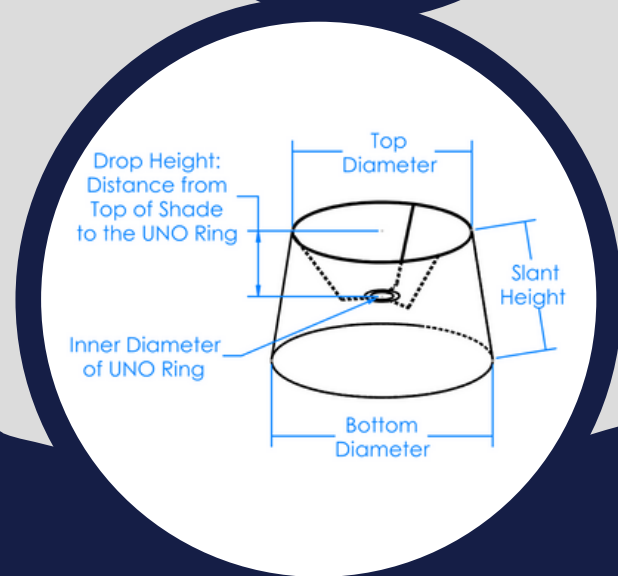
Example: 13 x 16 x 10 is 13" across the top, 16" across the bottom and 10" tall.



➤➤➤ "UNO" The Drop

The distance from the top of the shade to the center of the top ring is called the "drop." On traditional shades, the drop is usually 1".

However, European style "uno" shades are on the rise and these have a much larger drop. To measure this, turn the shade upside down on a flat surface and measure from the center ring to the table top. Then, measure the inner diameter of your UNO Ring.



➤➤➤ Color & Trim Selection

After finalizing the correct measurement, it's time to select the fabric color and the type of trim. The most common types of trim are single fold and rolled-edge.

Contact our Customer Service representatives today and discover what Arkansas Lighting can do for you!

